



Load Curves

Jib Length	Diagram	Single Crane					Dual Crane						m		
		10.9	12	14	16	18	18.91	20	22	24	26	28		30	32
32m		4000	3570	2950	2445	2120	2000	1870	1660	1490	1350	1180	1080	1000	Kg
Full 32m Jib folded out															
30m		11.40	12	14	16	18	19.70	20	22	24	26	28	30	m	
		4000	3750	3100	2570	2220	2000	1965	1750	1570	1430	1245	1140	Kg	
2m jib section removed reducing maximum jib length to 30m															
28m		11.14	12	14	16	18	19.20	20	22	24	26	28	m		
		4000	3645	2940	2495	2160	2000	1900	1700	1450	1385	1210	Kg		
4m jib section hydraulically folded back to reduce jib length to 28m															
14.5m		13.88	14.50	m											
		4000	3790	Kg											
17.5m jib section hydraulically folded back to reduce jib length to 14.5m															

4 fall rope operation
 4 fall or 2 fall rope operation



Speed of Mechanisms

	Diagram	m/min.	Single Crane		Dual Crane			
			kg	CV-PS hp	kW	kg	CV-PS hp	kW
HOISTING		6	2000	24	48	3	12	24
		kg		2000	1300	4000	4000	2600
		CV-PS hp	3	12	14	3	12	24
		kW	2,2	8,8	10,3	2,2	8,8	10,3
Power Requirements								
TROLLEYING		20/40	1.5/3		1.1/2.2			
SLEWING		0,2-1,1 tr/min - u/min rpm - g/min	3.5 kgm		4.5			
MAINS ELECTRICITY		400V (+6%-10%) @ 50Hz	GENERATOR	Frequency Controlled 30KVA However we recommend using 40KVA Contactor Controlled 60KVA				
KVA		23KVA						

Subject to modification



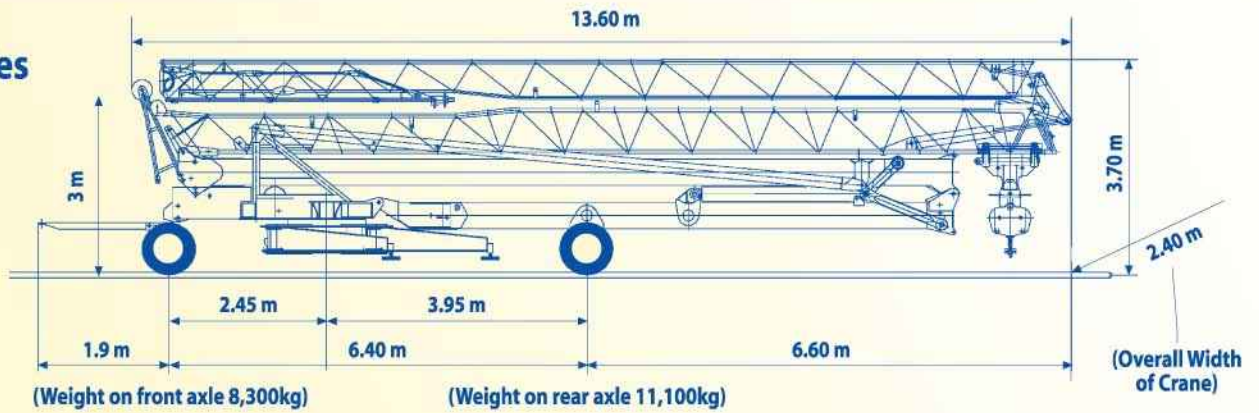
Weights

Dead Weight without Transport Axles	13,200 Kg	BALLAST WEIGHTS	
Dead Weight with Transport Axles & 7,000kg Permanent Ballast	21,000 Kg	13 No. @ 1,250 Kg	16,250 Kg
		4No. @ 1,100Kg & 1No. @ 2,600Kg - Permanent	7,000 Kg
		Total	23,250 Kg



Mode of Transport

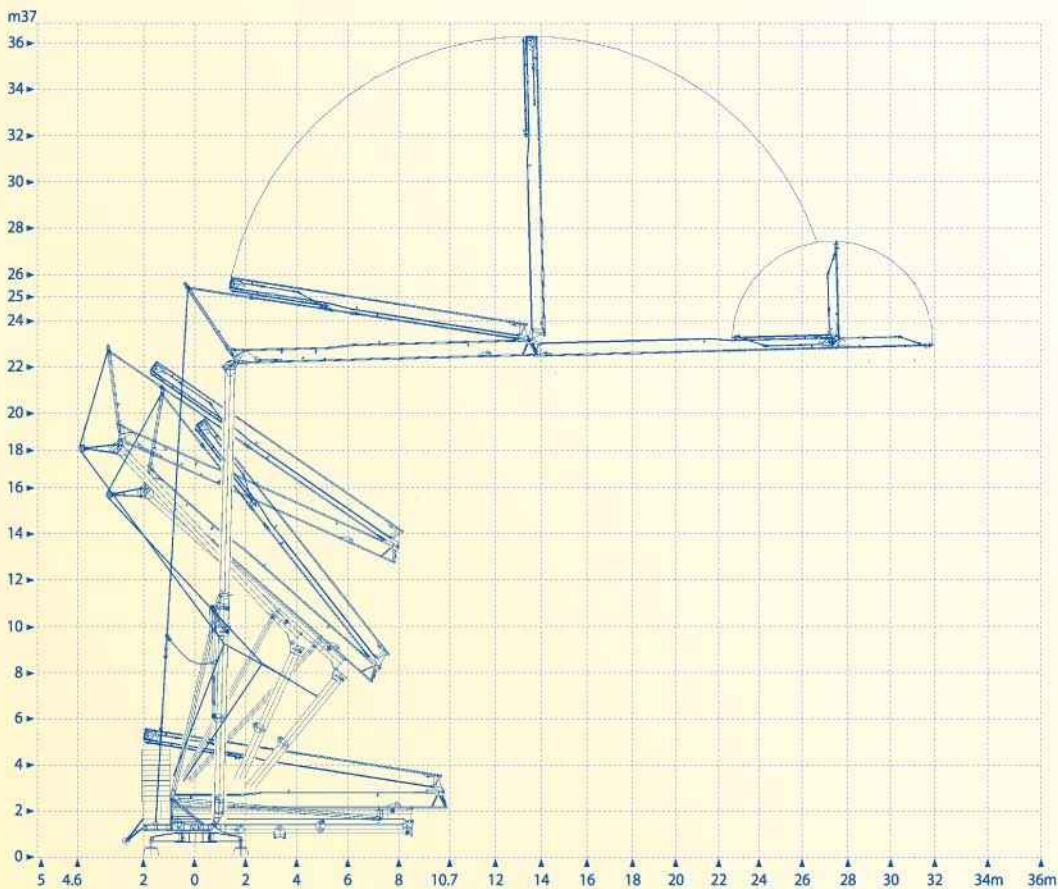
Site Axles

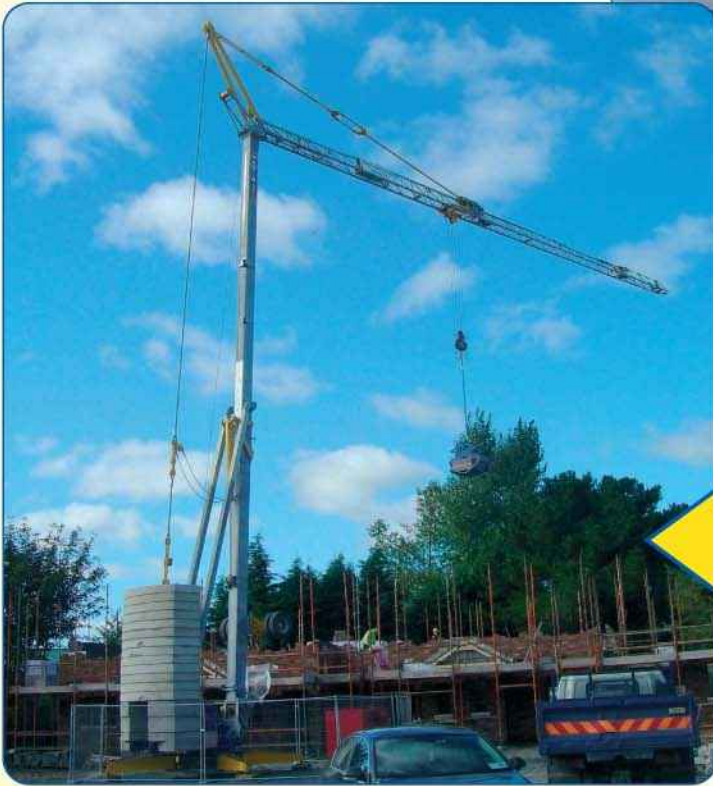


Suitable Low Loader Trailer



Erection Schematic





Model shown in picture may not be this actual model

On-site materials handling for the 21st Century



Head Office

Killygordon
Co. Donegal
Ireland
Tel: +353 (0)74 9149981
Fax: +353 (0)74 9149932
Email: info@mantiscranes.ie
Web: www.mantiscranes.ie

UK Office

Unit 11
Brockwell Court
Low Willington Industrial Estate
Crook
Co. Durham DL15 0UT
Lo Call: 0845 3098158
Tel: +44 (0)138 8748962
Fax: +44 (0)138 8748968
Email: info@mantiscranes.co.uk
Web: www.mantiscranes.co.uk

This commercial document is not legally binding. Changes may be made to the content without any notification.

'The Evolution in Crane Technology'